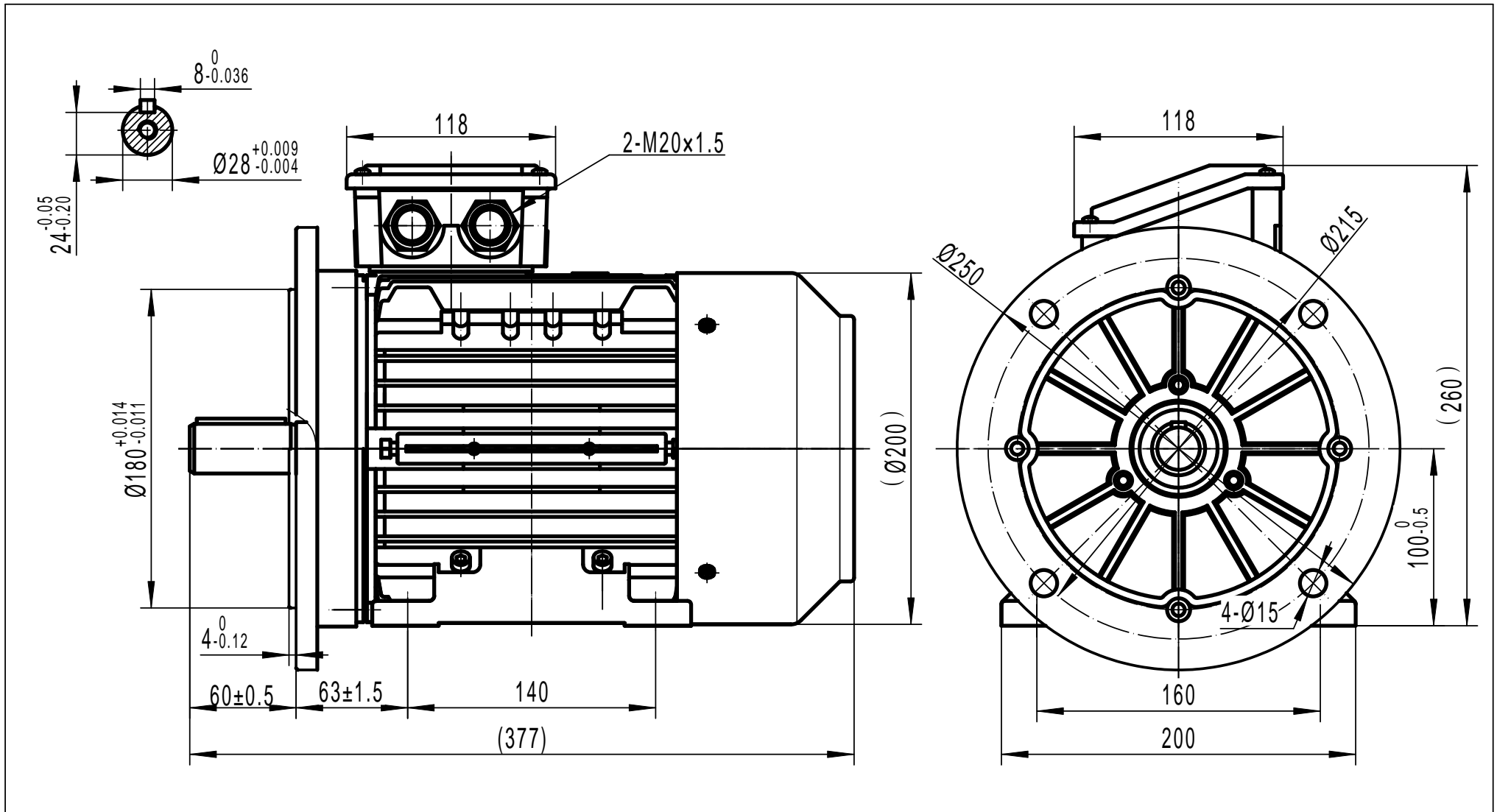


OUTLINE DIMENSIONAL DRAWING



TECHTOP AUSTRALIA PTY LTD	
FRAME	TAI 100A B35
DATE	DRAWING NO.
2011/10/14	1ST085.051.001-021 A